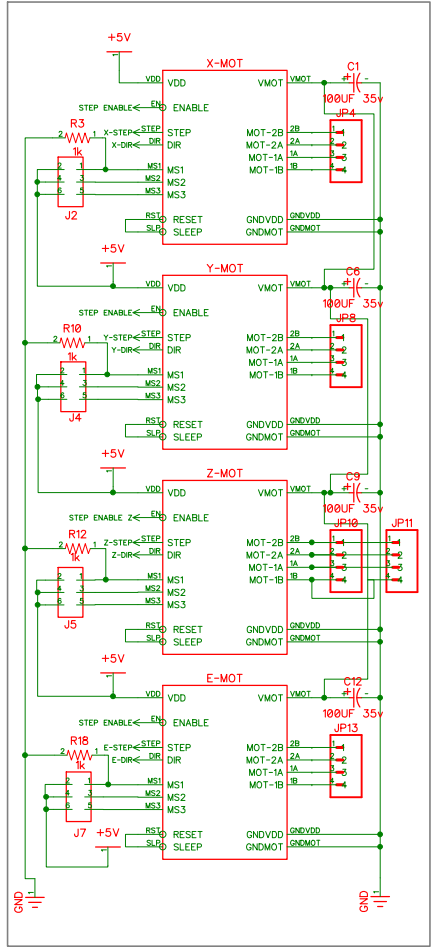
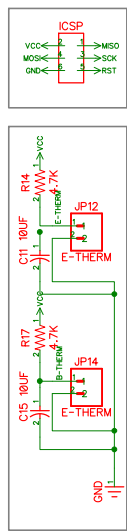
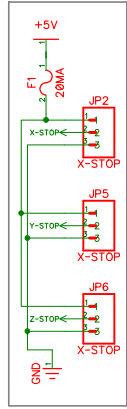
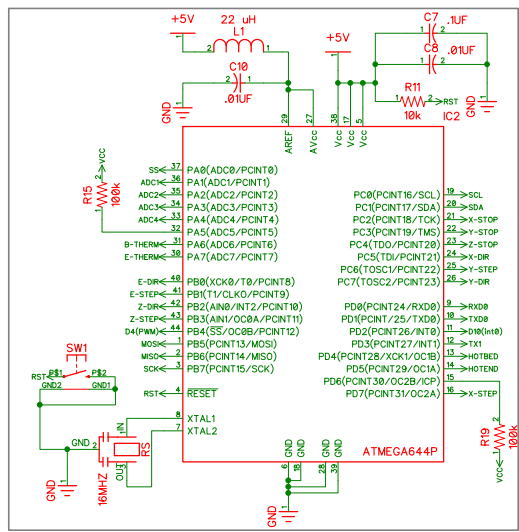
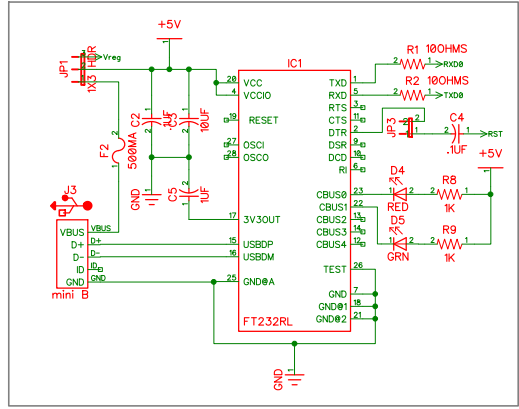
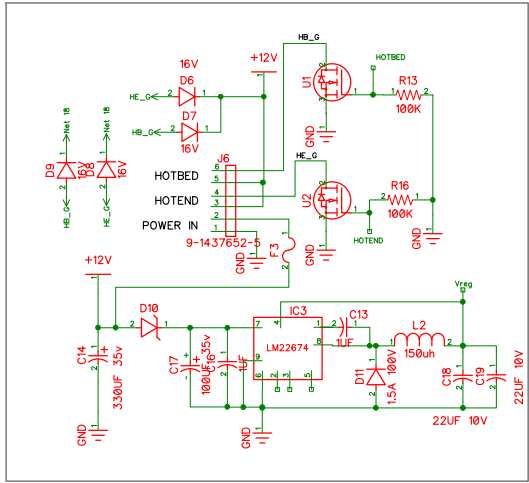
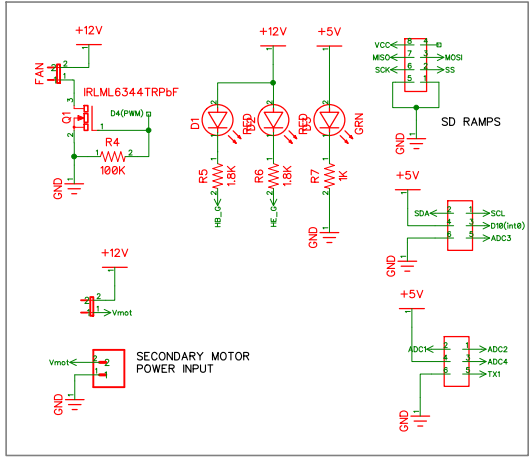


REVISIONS				
ZONE	REV	DESCRIPTION	DATE	APPROVED



Itemref	Quantity	Title/Name, designation, material, dimension etc	Article No./Reference		
Designed by Roy C.	Checked by	Approved by - date	File name	Date	Scale
		- 00/00/00		3/3/12	1:1
Panucatt Devices Azteeg X1 3DP Reprap Controller			AZTEEG X1 3DP controller		
			Edition	Sheet	
			0	1/1	

panucatt.com
reprap.org/wiki/Azteeg_X1